

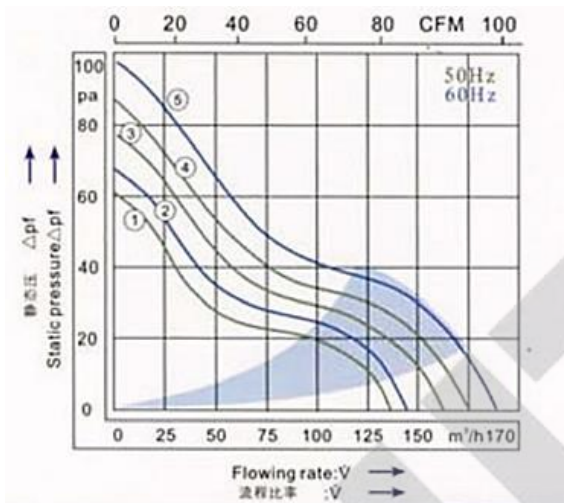
4 吋風扇

產品說明：

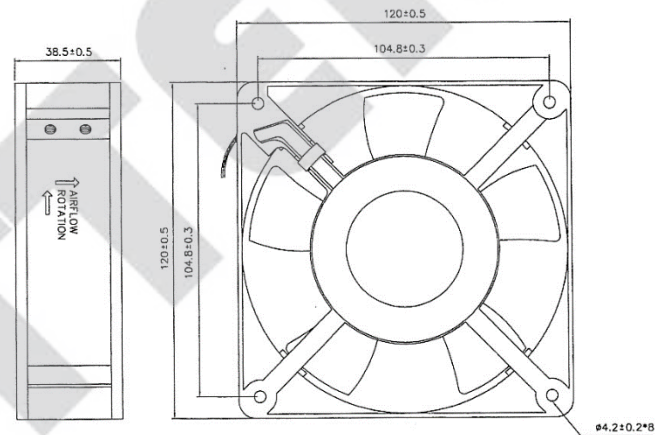
可搭配所有符合 DIN 規格之自控器具，適合歐、美、日、國產之國際標準元器件



特性曲線：



外型尺寸：



規格：

Model	Bearing	Rated Voltage Vac	Frequency	Input Current A	Input Power W	Speed R.P.M	Max. Air FLOW CFM	Static Pressure InchAq	Noise Db-a
1238LA 1SAT	Sleeve	110	50/60	0.23/0.27	23.97/28.66	2500/2700	102.8/111.9	0.239/0.252	46.4/48.1
1238LA 1BAT	Ball	110	50/60	0.23/0.27	23.97/28.66	2500/2700	102.8/111.9	0.239/0.252	46.4/48.1
1238LA 2SAT	Sleeve	220	50/60	0.11/0.12	21.38/21.59	2500/2700	102.8/111.9	0.239/0.252	46.4/48.1
1239LA 2BAT	Ball	220	50/60	0.11/0.12	21.38/21.59	2500/2700	102.8/111.9	0.239/0.252	46.4/48.1
1238LA 24SAT	Sleeve	24	50/60	0.64/0.73	14.3/16.3	2800/3000	102.8/111.9	0.239/0.252	46.4/48.1