

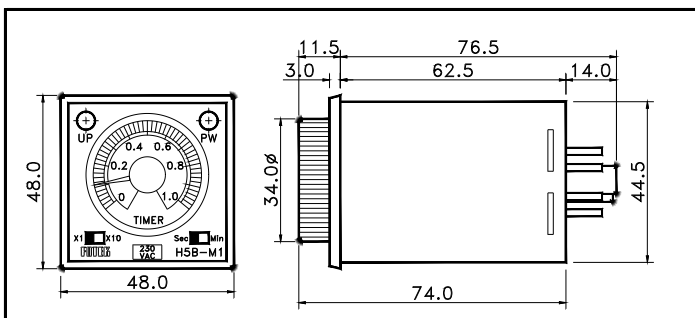


Type	Multi-Range ON Delay Timer	Multi-Range Flicker
Model	<b>H5B-M</b> <input type="checkbox"/>	<b>H5B-FK-M3</b>
Figure		
Range	M1 : 1S/10S/1M/10M M3 : 3S/30S/3M/30M M6 : 6S/60S/6M/60M M1H : 1M/10M/1H/10H M3H : 3M/30M/3H/30H M6H : 6M/60M/6H/60H	3S/30S/3M/30M
Weight	160g	150g

## Specification

Power Supply	12 or 24 VAC/DC or 110V or 230V or 380VAC 50/60Hz
Wattage Consump.	3VA max.
Control Output	Relay
Contact Rated	10A
Repetivity	0.2% of F.S max.
Setting Accuracy	5% of F.S max.
Reset Time	0.1S max.
Insulation Strength	100M $\Omega$ /500VDC
Dielectric Strength	2.5KV/1 min.
Circumstance	-20° ~ +60 °C , 35~85%RH
Life of Relay	20X 10 <sup>6</sup> Times

## Dimension



## Connection & Timing Diagram

