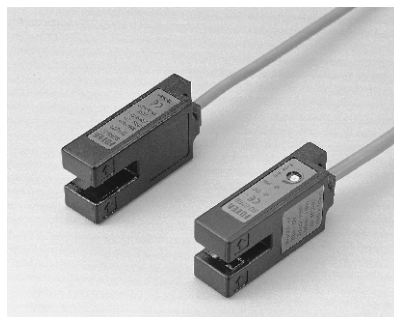


# U TYPE HIGH SPEED GEAR SENSOR

## SU-07X series

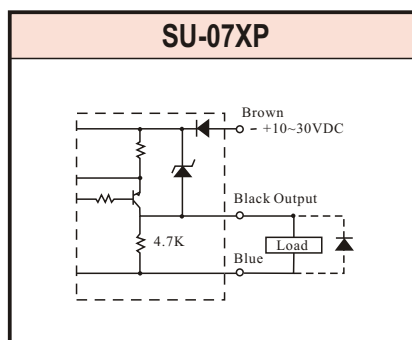
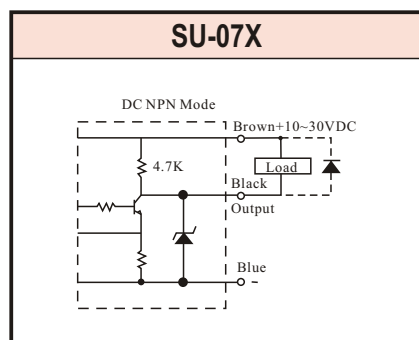
- ※ HIGH SPEED RESPONSE : 5 KHz
- ※ HIGH STABILITY & RELIABILITY
- ※ LOW COST & HIGH QUALITY



## SPECIFICATION

Model	型號	SU-07X	SU-07XP
Output method	輸出方式	NPN	PNP
Operating voltage	工作電壓	10-30 VDC; Ripple < 20% of peak to peak	
Current consumption	消耗電流	30 mA max.	
Output current	輸出電流	150 mA max.	
Protection circuit	保護迴路	Short Circuit & Polarity Reversed Protection	
Emitter	發射光源	Infrared Led	
Min.sensible object	最小可檢測物	1.0 $\phi$	
Response frequency	響應頻率	5 K Hz	
Illumination	耐外亂光	Lamplight < 5000 LUX ; Sunlight < 10,000 LUX	
Connection method	接線方式	4 $\phi$ / 3 $\phi$ X 2m	
Housing material	外殼材質	Intensive ABS	
Operating temp/hum	工作環境	-20°C ~ + 70°C ; 35% ~ 85 % RH	
Protection	保護等級	IP-65	

## Output Circuit & Connection Diagram



## Dimension

