



TWIN TIMER & DEFROSTING TIMER

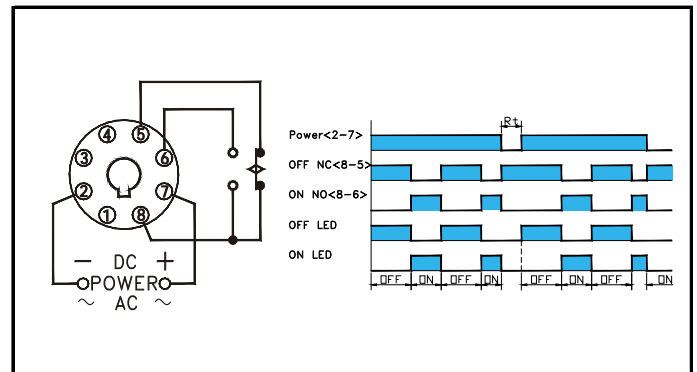
TDV & TDF series

Type	Multi-Range Twin Timer		Multi-Range Defrosting Timer	
Model	TDVN-M <input type="checkbox"/>	TDVY-M <input type="checkbox"/>	TDFN-12H	TDFY-12H
Figure				
Range	M3 = 3S/30S/3M/30M M6 = 6S/60S/6M/60M M3H = 3M/30M/3H/30H M6H = 6M/60M/6H/60H		Cooling : 12H Defrosting : 30M	
Weight	190g	195g	190g	195g

Specification

Power Supply	12 or 24 VAC/DC 110V or 230V or 380VAC 50/60Hz
Wattage	3VA max.
Control Output	Relay
Contact Rated	10A
Repetivity	0.5% of F.S
Setting Accuracy	5% of F.S
Reset Time	0.1 Sec Max.
Insulation Strength	100M Ω /500VDC
Dielectric Strength	2.5KV/1 min.
Circumstance	-20° ~+60 °C , 35~85%RH
Life of Relay	20 X 10 ⁶ Times

Timing Chart



Dimension

