

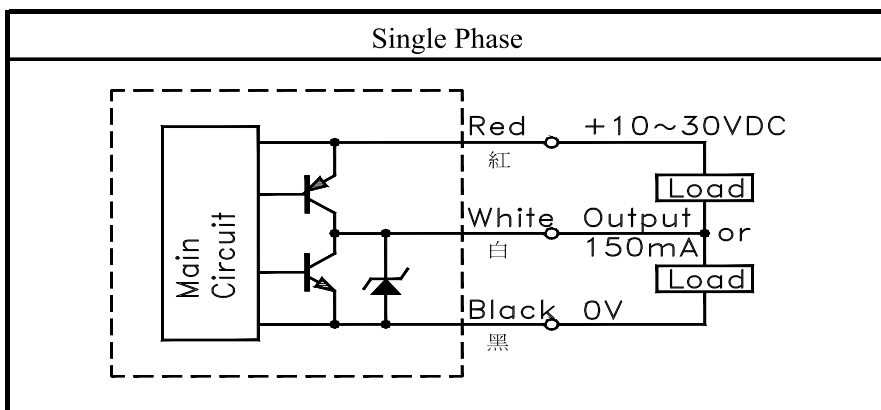
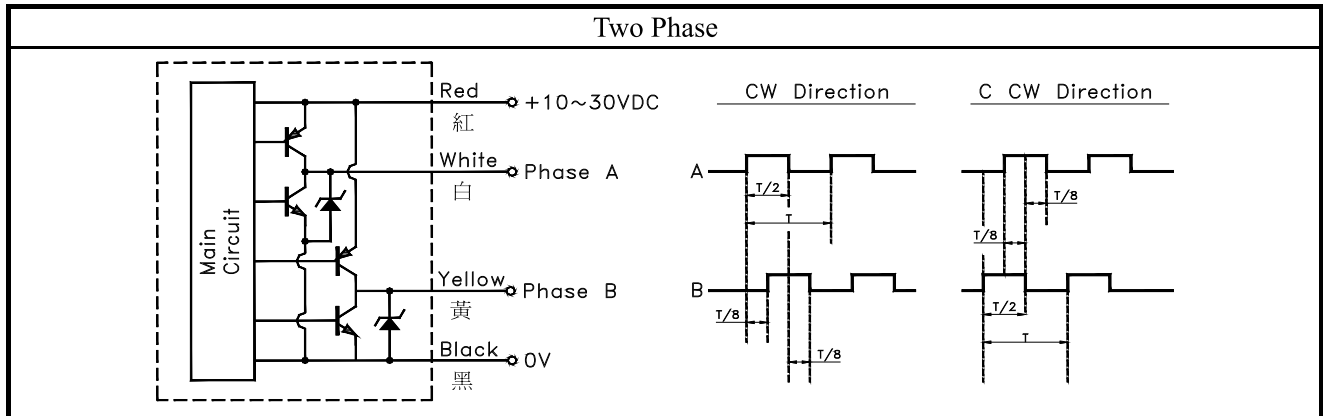
- \* High Response Frequency : 10K HZ
- \* High Speed of Revolution : 6K RPM
- \* Voltage & Current Output With  
NPN + PNP Output
- \* High Reliability With Anti-Noise Circuit
- \* Multi-Measuring Unit / Pulse  
1.0mm , 0.01m , 0.1m , 1m ,  
0.001yd , 0.01yd , 0.1yd & 1yd
- \* Model of Two Phase Output :  
WE-M2T , WE-M3T , WE-M4T  
WE-Y2T , WE-Y3T , WE-Y4T



## ■ Specification

Type	Meter Wheel				Yard Wheel		
<b>Model</b>	WE-M1	WE-M2	WE-M3	WE-M4T	WE-Y1	WE-Y2	WE-Y3
Unit / Pulse	1m	0.1m	0.01m	1.0mm	1yd	0.1yd	0.01yd
PPR	0.2 PPR	2 PPR	20 PPR	200 PPR	0.2 PPR	2 PPR	20 PPR
Output Phase	Single or Two phase are Available						
Operating Voltage	10~30 VDC						
Current Consumption	30 mA max.						
Output Method	NPN + PNP						
Output Current	150mA max.						
Residual Voltage	0.1V max.						
Leakage Current	0.1 mA max.						
Rprotection Method	Polarity Reversed & Over Load Protection						
Connection Method	2m Cable						
Response Frequency	2K HZ		10K HZ		2K HZ		
RPM max.	6K RPM		3K RPM		6K RPM		
Insulation Resistance	Over 50MΩ /500VDC						
Dielectric Strength	Over 2.5KV						
Circumstance	-20°C ~ +60°C ; 35°C ~ 85°C						
Protection Class	IP-65						
Weight	Appr.525g				Appr.510g		

## Output Circuit & Connection Diagram



## Dimension

