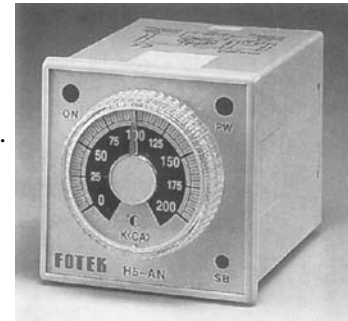


DIN 48X48 Temperature Controller

H5-AN series

- ☆ DIN 48X48
- ☆ All Type With Sensor Break Alarm LED
全機種附斷線警報指示燈
- ☆ With Cold Junction Compensation, Suited To Operated At $-20^{\circ}\text{C} \sim +60^{\circ}\text{C}$.
附冷接點補償，適用 $-20^{\circ}\text{C} \sim +60^{\circ}\text{C}$
- ☆ Setting Accuracy Less Than 1.0% of F.S.
設定精度少於1.0%
- ☆ With P+D Control To Control Temperature Easily.
PFD控制方式，可精確控溫



■ Specification/規格

Model 型號	H5 - AN - □□ - □
Sensor Type 感溫線	K<CA>or J<C>or PT-100Ω
Control Method 控制方式	P+D ON/OFF or ON/OFF
Output Method 輸出方式	Relay < 5A/250 VAC > or Voltage < 20 mA/12V >
Cycle Time 動作週期	2 sec or 20 sec
Degree Unit 單位	$^{\circ}\text{C}$
Power Supply 工作電壓	110 / 220 VAC 20%, 50/60Hz
Current Consumption 耗電流	2.5 VA max.
Insulation Resistance 絕緣阻抗	100MΩ / 500 VDC
Dielectric Strength 耐壓強度	2.5 KV / 1 min
Vibration Resistance 抗振動	10~55 Hz/1.5mm, 2Hrs
Operating Temp/Hum 工作環境	$-20 \sim +60^{\circ}\text{C}$; 35%~85% RH
Weight 重量	Appr. 185g

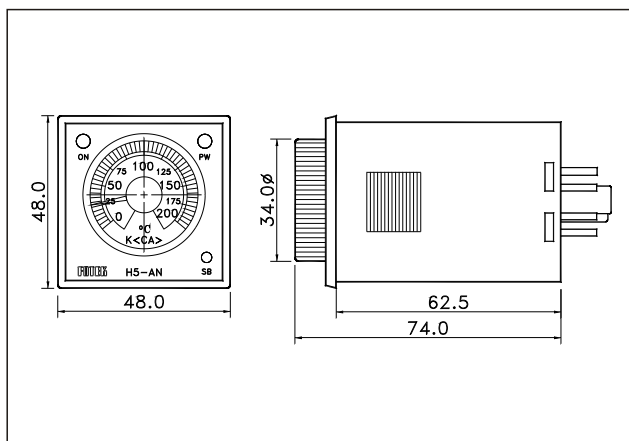
■ Guiding of Model/型號索引

H5 - AN - PT - R 4 - S

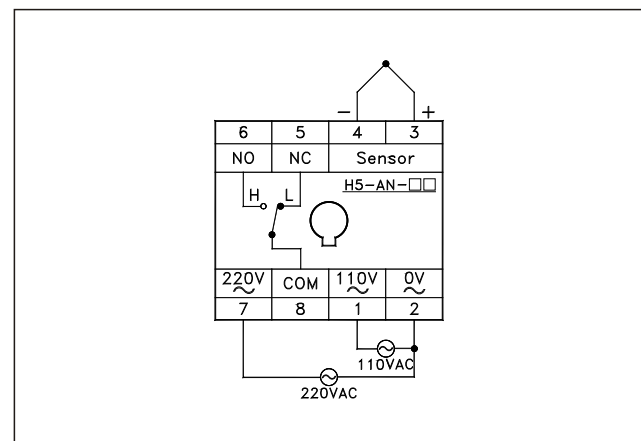
① ② ③ ④ ⑤ ⑥

- ① **Series 系列**
H5 series
- ② **Method of Setting 設定方式**
AN = Trimmer Type
- ③ **Type of Sensor**
NOU = K Type
J = J Type
PT = PT Type
- ④ **Method of Output 輸出方式**
R = Relay < 5A/250 VAC >
V = Voltage < 20mA/12 VDC >
- ⑤ **Range of Setting 設定範圍**
1 = 0 ~ 100
2 = 0 ~ 200
4 = 0 ~ 400
- ⑥ **Method of Control 控制方式**
Non = P+D ON / OFF
S = ON / OFF

■ Dimension/外型尺寸



■ Connection Diagram/接線圖



Control Output 控制輸出

ON/OFF LED Turn to Green Color , Control Output Turn ON. 綠色動作燈，表示控制輸出動作。
 ON/OFF LED Turn to Red Color , Control Output Turn OFF. 紅色動作燈，表示控制輸出復歸。
 but , Linear Output Type That ON/OFF LED Turn to Green Color. 但，線性輸出型，動作燈亮綠色。

Sensor Break Alarm (SB) 測溫體斷線指示燈

SB LED Turn ON when Sensor Break 測溫體斷線時，SB燈會亮著。

Stand-by/Over-heat Alarm (AL) 待機/過熱警報

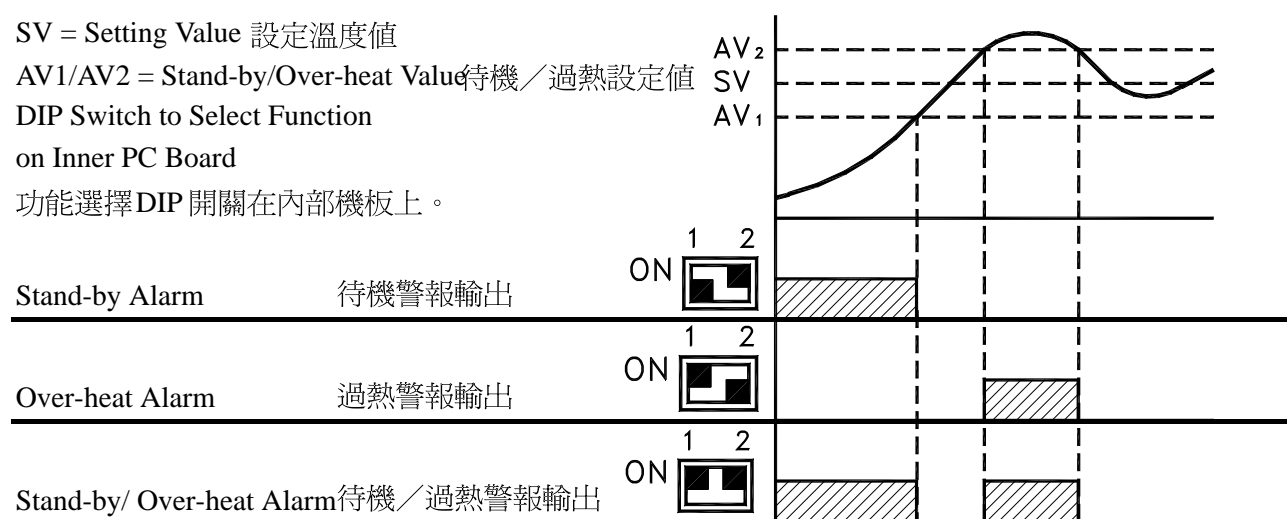
SV = Setting Value 設定溫度值

AV1/AV2 = Stand-by/Over-heat Value 待機/過熱設定值

DIP Switch to Select Function

on Inner PC Board

功能選擇DIP 開關在內部機板上。



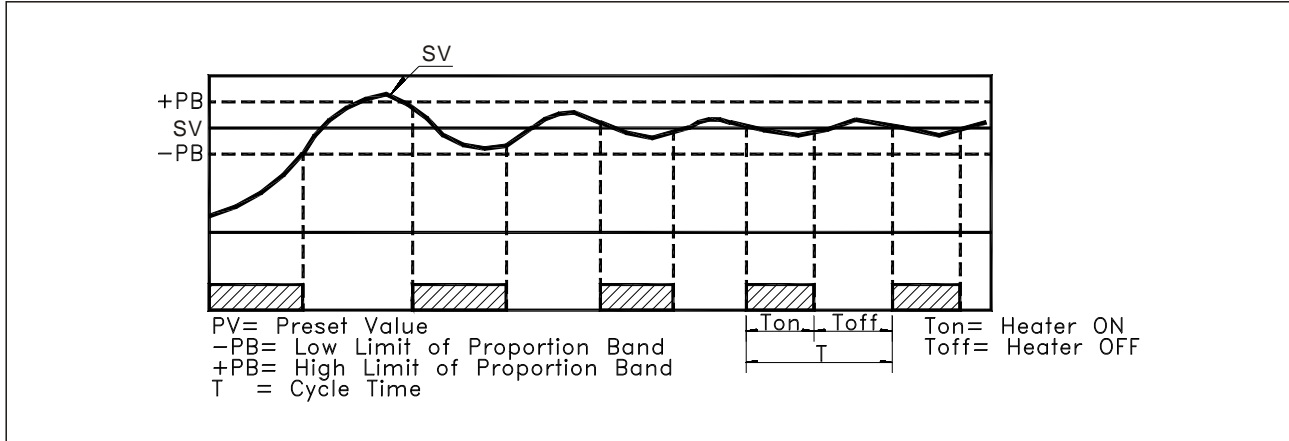
Heater Break Alarm (HB) 加熱器斷線警報

Heater Break Alarm Output Turns ON when the Current of Heater Lower than Setting Value that may set at Front Panel. (0.5A~25A standard/1.0A~50A Optioned)

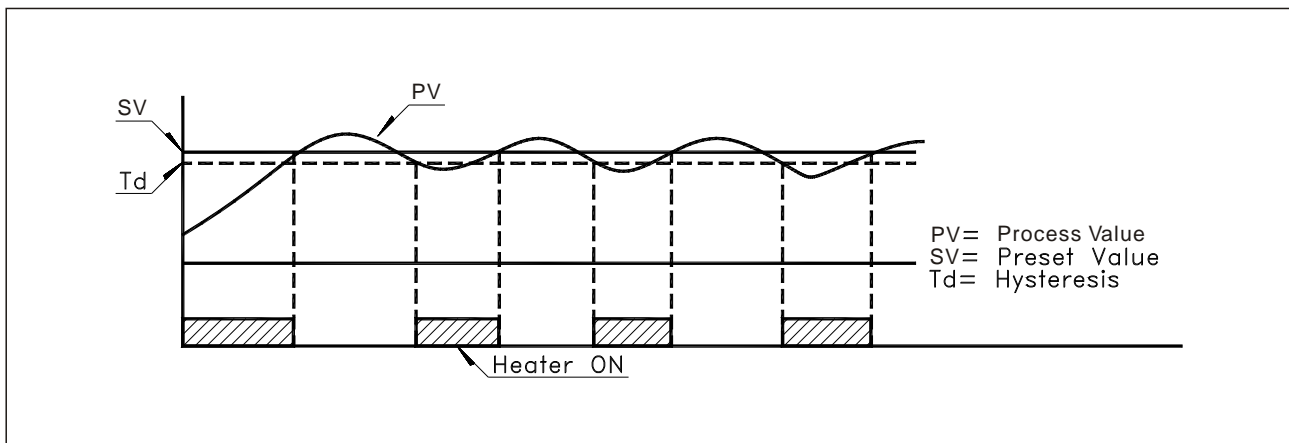
當加熱器電流低於設定值時，加熱器斷線警報即動作，設定值可在面板設定，標準 0.5A~25A，訂做 1.0A~50A

■ Illustration/説明

P+D ON/OFF



ON/OFF (S)



Proportion

